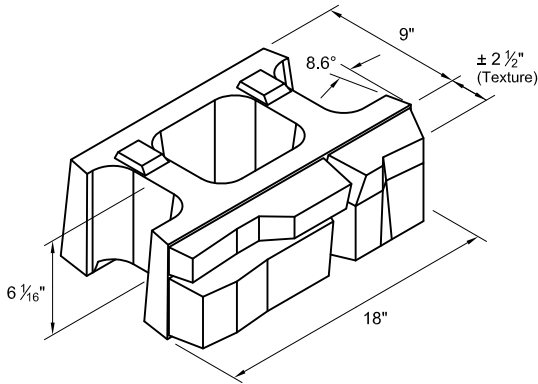


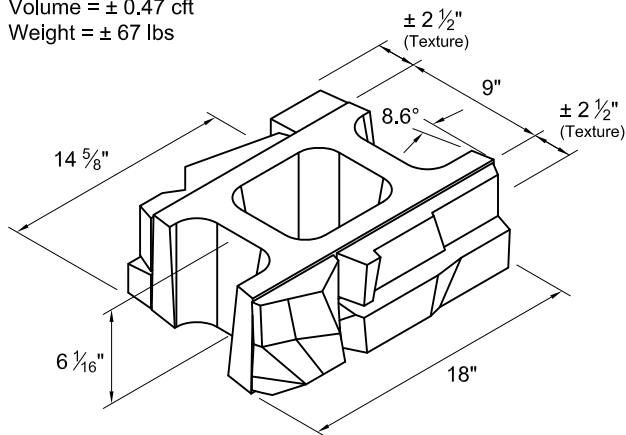
### 115 RETAINING

Volume = ± 0.40 cft  
Weight = ± 56 lbs



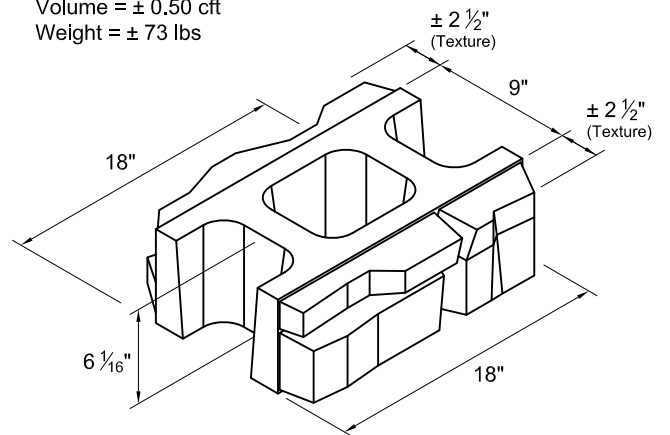
### 140 FREESTANDING CURVED

Volume = ± 0.47 cft  
Weight = ± 67 lbs



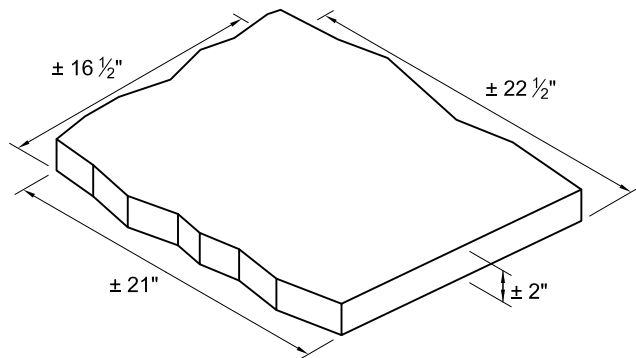
### 140 FREESTANDING STRAIGHT

Volume = ± 0.50 cft  
Weight = ± 73 lbs



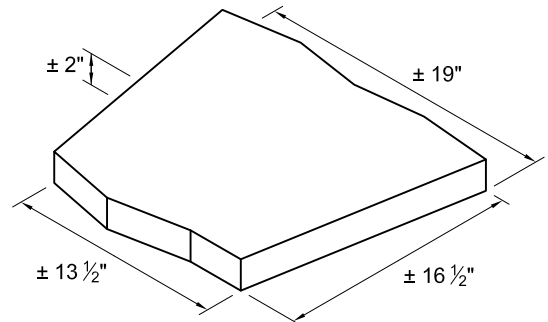
### END COPING

Volume = ± 0.43 cft  
Weight = ± 62 lbs



### STANDARD COPING

Volume = ± 0.30 cft  
Weight = ± 44 lbs



#### NOTES:

Actual weights and volumes may vary.  
Weight shown is based on 143 pcf concrete.

DRAWN BY:  
J. Johnson

APPROVED BY:

DATE:  
01-18-10

SHEET NO.:  
1 of 2

TITLE:

**BLOCK DETAILS**  
**115 AND 140 SERIES BLOCKS**

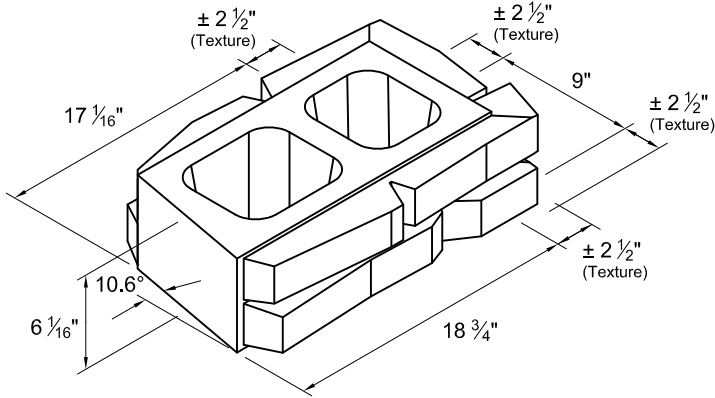
DRAWING FILE:  
RS 115 and 140 Series Blocks 011810.dwg

# REDI-SCAPES

05481 US 31 SOUTH CHARLEVOIX, MI 49720  
866-222-8400 • 231-237-9521 Fax • [www.redi-scapes.com](http://www.redi-scapes.com)

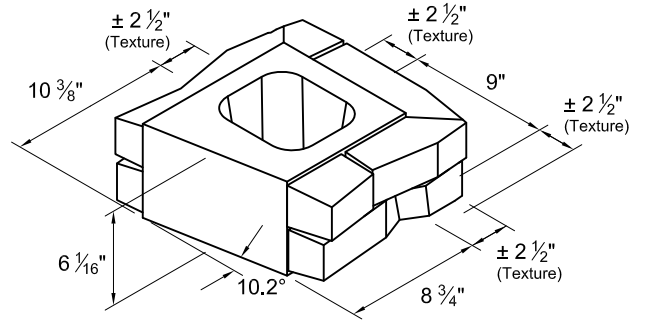
**140 FREESTANDING CURVED CORNER**

Volume = ± 0.60 cft  
Weight = ± 85 lbs



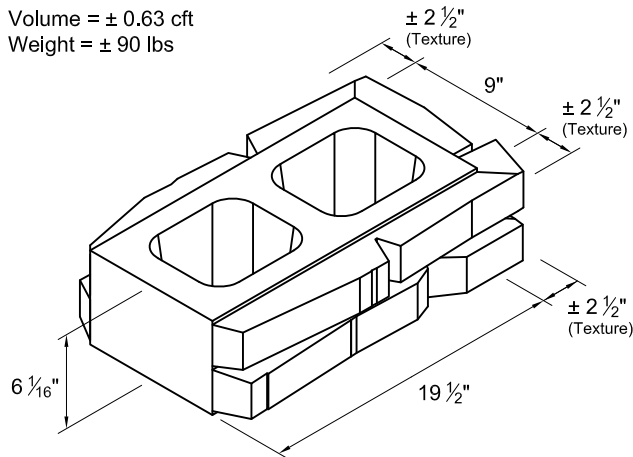
**140 FREESTANDING CURVED HALF CORNER**

Volume = ± 0.38 cft  
Weight = ± 54 lbs



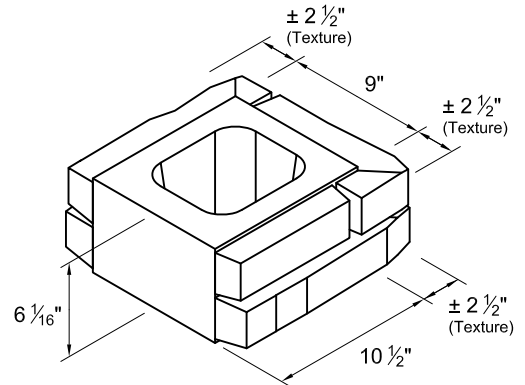
**140 FREESTANDING STRAIGHT CORNER**

Volume = ± 0.63 cft  
Weight = ± 90 lbs



**140 FREESTANDING STRAIGHT HALF CORNER**

Volume = ± 0.39 cft  
Weight = ± 55 lbs



**NOTES:**

Actual weights and volumes may vary.  
Weight shown is based on 143 pcf concrete.

DRAWN BY: J. Johnson
APPROVED BY:
DATE: 01-18-10
SHEET NO. : 2 of 2

TITLE: <b>BLOCK DETAILS</b> 115 AND 140 SERIES BLOCKS
DRAWING FILE: RS 115 and 140 Series Blocks 011810.dwg



05481 US 31 SOUTH CHARLEVOIX, MI 49720  
866-222-8400 • 231-237-9521 Fax • [www.redi-scapes.com](http://www.redi-scapes.com)